


# Worksheet: Solving Right-Angled Triangles

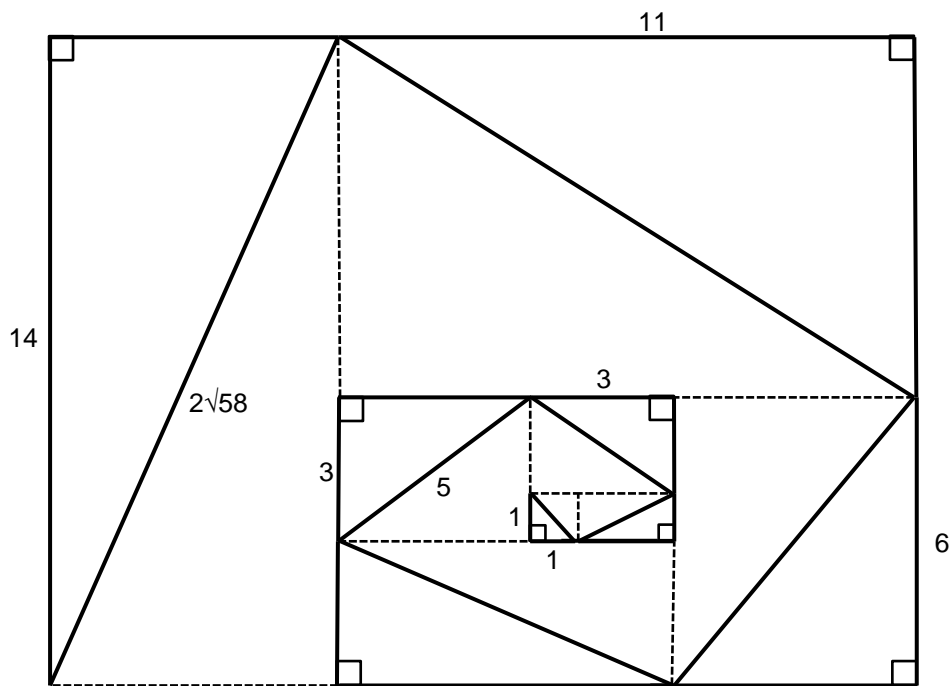
Model answers to this sheet



Solving Right-Angled Triangles study guide



Calculate the length of all the sides and the size of all the angles in the triangles shown by solid lines in the shape below. Keep your answers to the length of the sides as roots where appropriate and give the size of the angles to two decimal places.



This worksheet is one of a series on mathematics produced by the Learning Enhancement Team.

Scan the QR-code with a smartphone app for [more resources](#).



STUDENT SUPPORT SERVICE